

# 4MP WDR (Motorized) VF Vandal-resistant Network IR Fixed Dome Camera

IPC3234SR3-DVZ28



## Key Features

### Optics

- Day/night functionality
- Smart IR, up to 30m (98 ft) IR distance
- Up to 120 dB Optical WDR (Wide Dynamic Range)
- Lowlight surveillance
- 3D DNR (Digital Noise Reduction)
- Built-in motorized lens for remote zoom

### Compression

- H.265, H.264, MJPEG
- Embedded smart algorithm
- Triple streams
- ROI (Region of Interest)
- 9:16 corridor mode

### Network

- ONVIF Conformance

### Structure

- Support PoE power supply

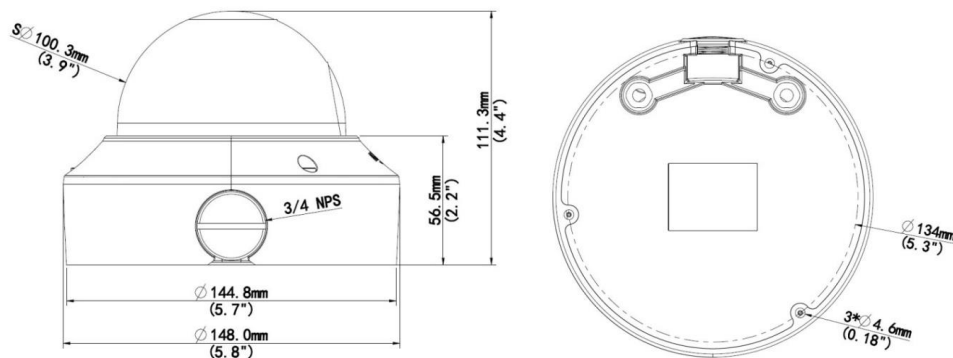
- Built-in PoE splitter that outputs DC 12V
- Wide temperature range: -40°C to 60°C (-40°F to 140°F)
- Wide voltage range of ±25%
- IK10 vandal resistant
- IP66

## Specifications

IPC3234SR3-DVZ28	
<b>Camera</b>	
Sensor	1/3", 4.0 megapixel, progressive scan CMOS
Lens	2.8~12 mm@F1.6
Angle of View (H)	95° (wide) ~29° (tele)
Zoom/Focus	Motor drive
Shutter	Auto/Manual, 1/6~1/8000 s
Min. Illumination	Colour: 0.02 Lux (F1.6, AGC ON) 0 Lux with IR
IR Range	Up to 30m (98 ft) IR range
Day/Night	IR-cut filter with auto switch (ICR)
S/N	>55 dB
WDR	Optical WDR (up to 120dB)
<b>Video</b>	
Max. Resolution	2592 × 1520
Video Compression	H.265,H.264,MJPEG
Frame Rate	4MP (2592×1520): Max. 20 fps; 4MP (2560×1440): Max. 25 fps 3MP (2048×1520): Max. 30 fps; 1080P (1920×1080): Max. 25 fps
Video Streaming	Triple
9:16 Corridor Mode	Supported
ROI	Supported
OSD	Up to 8 OSDs
Privacy Mask	Up to 4 areas
<b>Smart</b>	
Behavior Detection	Intrusion, crossing line, motion detection
Exception Detection	Audio detection
Intelligent Identification	Face detection
Statistical Analysis	People counting
<b>Audio</b>	
Audio Compression	G.711
Two-way audio	Supported
<b>Storage</b>	
Edge Storage	Micro SD, up to 128 GB
<b>Network</b>	
Protocols	L2TP, IPv4, IGMP, ICMP, ARP, TCP, UDP, DHCP, PPPoE, RTP, RTSP, RTCP, DNS, DDNS, NTP, FTP, UPnP, HTTP, HTTPS, SMTP, SIP,

	802.1x
Compatible Integration	ONVIF, API
<b>Interface</b>	
Audio I/O	Audio cable
	Input: impedance 35 kΩ; amplitude 2 V [p-p]
	Output: impedance 600 Ω; amplitude 2 V [p-p]
Alarm I/O	1/ 1
Network	1 RJ45 10M/100M Base-TX Ethernet
Video Output	1 BNC, impedance 75 Ω; amplitude 1 V [p-p]
Reset Button	Supported
Power Output	DC12V Power Output With PoE
<b>General</b>	
Power	12 V DC, or PoE (IEEE802.3 af)
	Power consumption: Max.6.6 W (PoE :Max.7.2 W)
Dimensions (∅ x H)	∅148 x 111.3 mm (∅5.8" x 4.4")
Weight	0.75 kg (1.7 lb)
Working Environment	-40°C ~ +60°C (-40°F ~ 140°F), Humidity ≤ 95% RH(non-condensing)
Ingress Protection	IP66
Vandal Resistant	IK10

## Dimensions



## Accessories

Installation mode	Accessories	Description
Ceiling mount	Mounting pedestal is included in the product package	For indoor ceiling installation

### Zhejiang Uniview Technologies Co., Ltd.

Building No.10, Wanlun Science Park, Jiangling Road 88, Binjiang District, Hangzhou, Zhejiang, China (310051)

Email: [overseasbusiness@uniview.com](mailto:overseasbusiness@uniview.com); [globalsupport@uniview.com](mailto:globalsupport@uniview.com)

<http://www.uniview.com>

©2016 Zhejiang Uniview Technologies Co., Ltd. All rights reserved.

\*Product specifications and availability are subject to change without notice.