

PHILIPS® UVCCI00 68W 紫外线消毒柜使用说明书

PHILIPS UV-C Disinfection Chamber Instruction

目录/Contents:

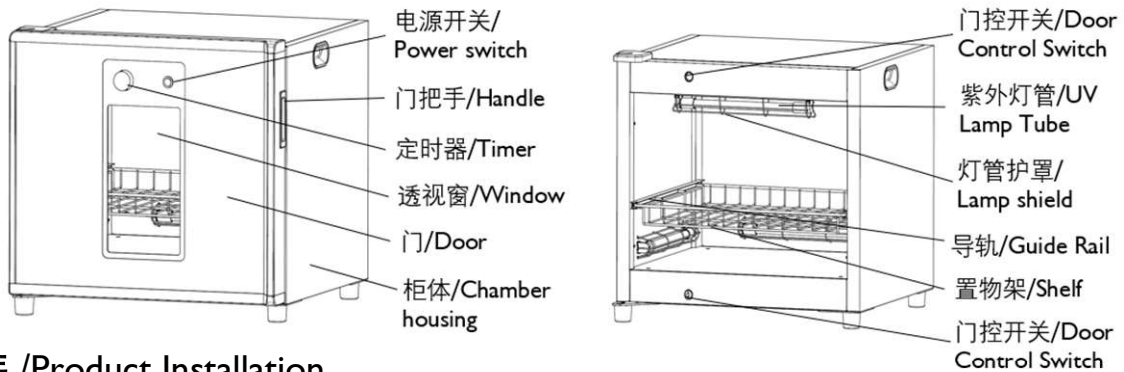
执行标准/Standard: GB4706.1 / IEC60335-1

一. 技术参数/Technical Parameters ···· 1	五. 注意事项/Precautions ······ 3
二. 结构示意图/Structure ······ 1	六. 维护与保养/Maintenance ······ 4
三. 产品安装 /Product Installation ···· 2	七. 故障处理/Troubleshooting ······ 4
四. 使用说明/Instructions for use ···· 2	八. 环保清单 ······ 4

一 技术参数 /Technical Parameters

型号描述/Model	UVCCI00 68W
外形尺寸/Dimensions	560*560*510mm
容积/Volume	77L
重量/Weight	18kg
功率/Power	68W
输入电压/Input Voltage	220-240V~
频率/Frequency	50-60Hz
熔断保护/Fuse Protection	5A, 250V~
消毒方式/Disinfection Method	253.7 nm 紫外线/UVC
工作温度范围/Operating Temperature Range	10-30°C
存放温度范围/Storage Temperature Range	-20-60°C
环境湿度范围/Ambient Humidity Range	10%-90%
紫外线风险组/UV Risk Group	消毒柜内紫外线危险组别为RG3, 柜体外部为RG0/The risk group of ultraviolet radiation in the disinfection chamber is RG3, and the outside of the chamber is RG0

二 结构示意图/Structure



三 产品安装 /Product Installation

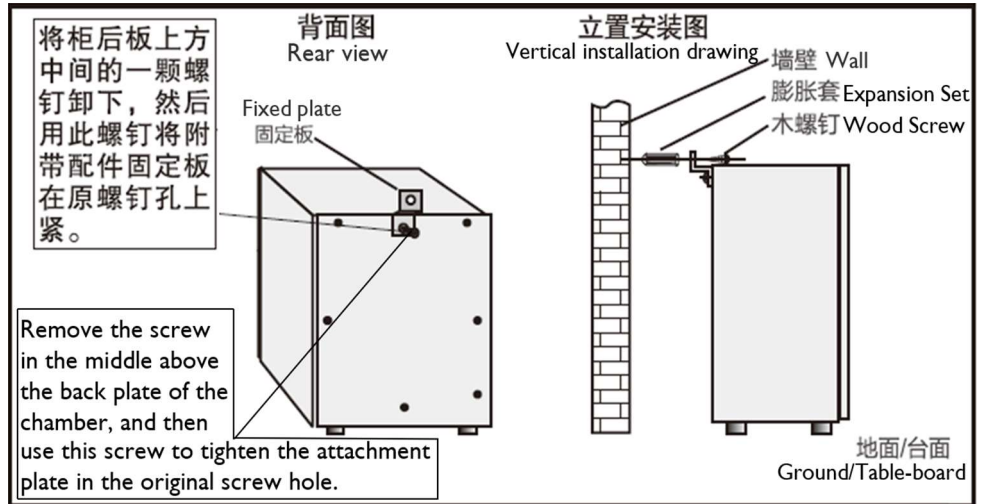
● 安装前的准备与检查/Preparation and inspection before installation:

1. 安装位置必须距离燃气具、电热器具或其它热源30厘米以上或用隔板隔开。
The installation position must be more than 30cm away from gas appliances, electric heating appliances or other heat sources, or separated by board.
2. 安装前必须检查安装部位的强度与表面平整度, 不得造成柜门的歪斜和错位。
Before installation, the strength and surface flatness of the installation place must be checked, and the skew and dislocation of the chamber door should not appear.
3. 应安装于能够承受柜体重量的地方。
It should be installed in the place that can bear the weight of the chamber.
4. 安装时仔细检查其他可能导致机器不能可靠固定的因素, 防止意外发生。
When installing, carefully check other factors that may cause the chamber to have malfunctions or accidents.
5. 冲击电流约为5安培, 请考虑电气容量。
Impulse current is about 5 amperes, please check electrical capacity.
6. 安装时请充分考虑柜门能够完全打开的操作空间。
When installing, please fully consider the operating space that the chamber door can be fully opened.

警告/WARNING:

1. 请可靠接地，避免接地不良会造成触电引发意外事故/Please ground reliably so as not to cause electrical shock accidents caused by poor grounding.
2. 应由有资格的电工安装，接线要符合IEE电气标准或当地的特殊要求/It should be installed by country's certified electrician, and the wiring should meet the IEE electrical standard or local special requirements.
3. 搬运时不可用门把手，应使用柜体两侧的拉手/The handle on both sides of the chamber should be used when moving instead of the door handle.

柜体安装固定示意图/Diagram of chamber installation and fixation



注/Note: 消毒柜移位前一定要先断开电源/ Make sure to disconnect the power supply before you move the disinfection chamber.

四 使用说明/Instructions for use

适用范围/Scope of application:

手机、餐具、碗筷等硬质物体表面/Non-medical use. Hard surface of non-medical products

使用注意事项/Precautions for Use

1. 使用前撕掉外壳覆膜/Tear off the cover film before use;
2. 使用前必须去掉置物架上的扎带/Remove the ties on the shelf before use;
3. 消毒过程中如需打开柜门，应先关闭门上电源开关/In the process of disinfection, If you need to open the door, the power switch must be off;
4. 物品下表面和托盘接触部分UV光无法照射到，如果需彻底对物品底面消杀，应将物品上下翻转一次/The UV light cannot reach the contact part between the item's lower surface and the tray. If the bottom of the item needs to be completely disinfected, please flip the item up and down once;
5. 不推荐使用用于未包装好的食品/Not recommended for the food without package.

物品摆放要求和消毒方案/Requirements for object placement and disinfection plan

1. 物品与灯管之间至少保持50毫米的距离，并保证被消毒的物品的每个表面都被紫外线照射到/Keep a distance of at least 50 mm between the object and the lamp tube, and make sure every surface of the object is exposed to ultraviolet light;
2. 不得将潮湿的和有液体溢出的物品放入消毒柜中/Do not put wet objects or object with spilled liquids into the disinfection chamber;
3. 物品的消毒方案应按照物品的数量和尺寸大小选择相应的摆放方案和消毒时间，详见右表/The disinfection scheme of objects should be based on the quantity and size of the objects and choose the corresponding placing plan and disinfection time. See the right table for details.

物品分类 Object Type	物品尺寸 Object Size	消毒时间 Disinfection Time	注意事项 Precautions	物品摆放 Object Placement
一个小物品 One small object	150mm*150mm*150mm	3 分钟/min	物品距离灯管至少50mm/ Keep the objects at least 50mm away from the lamp tube	
一个大物品 One big object	340mm*280mm*180mm	10 分钟/min		

● 正常消毒操作流程如下/Normal disinfection procedures are as follows

1. 确定电源插头已插好/Make sure the power plug is plugged properly;
2. 按照消毒推荐方案表选取适合的方案确定消毒时间和物品摆放方式/Select the appropriate scheme according to the disinfection recommendation table to determine the disinfection time and the way of placing objects;
3. 打开柜门将物品放入消毒柜，按方案规定摆放好物品/Open the chamber door, put the objects into the disinfection chamber, and place the objects according to the scheme;
4. 关上门，打开门上电源开关/Close the door and turn on the power switch;
5. 将门上的定时器旋到选定的时间档，开始消毒/Turn the timer on the door to the selected time slot to start disinfection;
6. 在消毒过程中可以通过定时器看到消毒过程所剩余的时间，同时还可以通过门上的透视窗看到消毒柜内的具体情况，确认所有灯管均正常工作（透视窗能够完全隔离紫外线，无需担心紫外线辐射会穿透透视窗）/During the disinfection process, the remaining time of the disinfection process can be seen through the timer. At the same time, the specific situation in the disinfection chamber can be seen through the perspective window on the door to confirm that all the lamps are working functionally (the perspective window can completely isolate ultraviolet radiation, and there is no need to worry that ultraviolet radiation will penetrate the perspective window);
7. 待定时器归零，整个消毒流程结束/When the timer returns to zero, the whole disinfection process is finished;
8. 取出物品并关好柜门。并可以准备进行下一次消毒/Take out the objects and close the chamber door, and prepare for the next disinfection.

● 灯管破碎处理/Solution to the lamp tube breakage

万一灯管意外破碎，应先通风30分钟，处理时应戴上手套取出碎片，装进密封塑料袋里，带到当地的废物处理点进行安全处理/In case of accidental breakage of the lamp tube, it should be ventilated for 30 minutes first. Please remove the debris with gloves, put it in a sealed plastic bag and take it to a local waste disposal site for safe disposal.

五 注意事项/CAUTIONS

警告/WARNING:



1. 我们的UV-C产品不期望也不应该用于由于使用该产品或因产品失效可能导致死亡、人身伤害和/或环境损害的应用或活动中/Products are not intended and shall not be used in applications or activities which may cause death, personal injury and/or damage to the environment.
2. 本UV-C产品不适用于消毒医疗器械或医疗目的；如果不当使用，昕诺飞将不为此类不当使用承担任何和所有责任/Products not designed and/or intended to be used to disinfect medical devices or for medical purposes; Signify excludes any and all liability for any such improper use.
3. 本产品发出的UV-C紫外线比正常的阳光强得多，如果暴露在UV-C紫外线下，会对你的皮肤造成严重的晒伤样反应，同样，也会损害你的视网膜/The UV-C of this product is much stronger than normal sunlight. If you're exposed to UV-C light, it will cause a severe sunburn on your skin, which can also damage your retina.
4. 经过一段时间的使用，植物和/或材料长时间暴露在UV-C辐射下可能会损坏和/或变色/Plants and/or materials that are exposed to UV-C for a long time may become damaged and/or discolored.
5. 不要将贵重物品，如书画、古董等物品，放入消毒柜消毒。昕诺飞不对任何相关损害负责/Do not put valuables, such as calligraphy and painting, antiques, etc. into the disinfection chamber for disinfection. Signify is not responsible for any related damages.
6. 儿童应受到监督，以确保他们不玩消毒柜。不要把人、动物或植物放入消毒柜/Children should be supervised to ensure that they do not play with the appliance. And do not put people, animals or plants in the chamber.
7. 严禁在通电状态下打开柜门并按下两个门控开关强行启动紫外线灯管/It is strictly prohibited to open the chamber door and press the two door control switches to forcibly start the UV lamp tube.
8. 必须确认关好门后才能进行消毒操作/The door must be closed and ensured before disinfection.
9. 禁止硬物撞击紫外线灯管及其护罩/Hard objects are prohibited to collide with the UV lamp tube and its shade.
10. 如果紫外线灯管损坏，必须更换飞利浦牌灯管（TUV I6W FAM/I0X25BOX）/If the UV lamp is damaged, it must be replaced with the Philips lamp tube.(TUV I6W FAM/I0X25BOX).
11. 请单独使用额定电流5A以上有可靠接地线的插座/Please use the socket with rated current above 5A and with reliable grounding wire.
12. 电源线为Y型连接，如果电源线损坏，为了避免危险，必须由制造商，其维修部或类似部门的专业人员更换/The power cord is Y-type connection. If the supply cord is damaged, it must be replaced by the manufacturer, its service agent or similarly qualified persons in order to avoid a hazard.
13. 如在使用过程中发现可以不经任何物体直接看到紫外线灯管发出的光线（如玻璃破损等），应立即停止使用，并通知专业人员进行维修/If it is found that the light emitted by the ultraviolet light tube can be seen directly through without any object (such as glass broken, etc.), the operation shall be stopped immediately and inform professional maintenance service.

14. 如在使用过程中出现异常情况（如异常气味，温升，噪音，烟雾等）应立即拔掉电源插头，并通知专业人员进行维修/If it is found that abnormal smell, high temperature on the housing, noise and smoke), plug must be disconnected and inform professional maintenance service.

15. 请勿私自拆卸修理，必须由制造商或其维修部门等类似专业人员来修理/ Do not disassemble and repair without permission. It must be repaired by the manufacturer or its maintenance department and other similar professionals.

16. 请勿将消毒柜浸泡在水中或向消毒柜喷水/Do not immerse the disinfection chamber in water or spray water on it.

17. 消毒时，物品应放置在物架上/Objects shall be placed on the tray when doing disinfection.

18. 此消毒柜不适用于身体、感觉或智力能力下降或缺乏经验和知识的人员（包括儿童）使用，除非他们已由其监护人对此消毒柜的使用进行监督或指导。The appliance is not intended for use by persons (including children) with reduced physical, sensory or mental capabilities, or lack of experience and knowledge, unless they have been given supervision or instruction concerning use of the appliance by a person responsible for their safety.

六 维护与保养/Maintenance

- 不要对柜体喷水/Do not spray water on the chamber.
- 灯座附近严禁进水/Do not let water in the vicinity of lamp holder.
- 灯管上一旦有脏污、结雾，要及时清洁，否则影响消毒效果/Once the lamp is dirty or foggy, it should be cleaned immediately, otherwise it will affect the disinfection effect .
- 在维护/清洁过程中，要断电/Power off during maintenance or cleaning.
- 维护/清洁时，将门完全打开再将置物架取出/When maintenance or cleaning, open the door completely, then take out the shelf.
- 清洁高反铝衬垫时，请用软布或软毛巾，避免划伤表面/When cleaning high reflection aluminum liner, please use soft cloth or towel to avoid scratching the surface.
- 外部：消毒柜可以用湿毛巾清洁。不建议使用强溶剂或洗涤剂。建议使用中性温和清洁剂，清洁后清洁剂无残留/External: the chamber can be cleaned with a wet towel. Strong solvents or detergents are not recommended. But neutral mild cleaners are recommended, no residual cleaners after cleaning.
- 内部：用乙醇（试剂级）和软毛巾清洁室内墙壁。注意不要在紫外线灯管上直接喷洒或涂抹化学品。这可能导致产品破坏 /Interior: clean the interior walls with ethanol (reagent grade) and soft towel. Be careful not to spray or apply chemicals directly on the UV lamp tube. This may damage the product.
- 请严格按照以上要求进行保养维护/Please maintain in strict accordance with the above requirements.

七 故障处理/Troubleshooting

故障现象 Fault Phenomenon	可能原因 Possible Causes	处理方法 Processing Method
消毒柜不工作 Disinfection chamber does not work	电源插头是否插好 Is the power plug plugged properly	重新插好插头 Plug in again
	插座没电 The socket is dead	检查供电线路 Check the power supply line
	门没有关好 The door is not closed	关好门 Close the door
	电源开关没打开 The power is not turned on	打开电源开关 Turn on the power switch
	消毒柜内部元器件损坏 The internal components of the disinfection chamber are damaged	联系经销商 Contact dealer
若干灯管不工作 Some lamp tubes do not work	灯管损坏 The lamp tube is damaged	联系经销商 Contact dealer
	驱动损坏 The drive is damaged	联系经销商 Contact dealer
	内部线路问题 Internal wiring problems	联系经销商 Contact dealer
消毒柜内有异味 Peculiar smell in the disinfection chamber	柜内不干净 The chamber is not clean	清洁消毒柜 Clean the disinfection chamber
消毒柜异常发热 Abnormal heating of disinfection chamber	消毒柜内部元器件损坏 The internal components of disinfection chamber are damaged	联系经销商 Contact dealer
消毒柜发出烟雾或烧焦味 The disinfection chamber emits smoke or burning smell	消毒柜内部元器件损坏 The internal components of disinfection chamber are damaged	联系经销商 Contact dealer

故障现象 Fault Phenomenon	可能原因 Possible Causes	处理方法 Processing Method
未通过紫外线剂量验证 Failed to pass UV dose verification	灯管老化 Aging lamp tube	联系经销商 Contact dealer
	未正确操作 Incorrect operation	按说明正确操作 Follow the instructions correctly

八 环保清单

(仅中国使用/Only for China)

产品中有害物质的名称及含量						
部件名称	有害物质					
	铅 (Pb)	汞 (Hg)	镉 (Cd)	六价铬 (Cr (VI))	多溴联苯 (PBB)	多溴二苯醚 (PBDE)
外壳	○	○	○	○	○	○
内衬	○	○	○	○	○	○
玻璃	○	○	○	○	○	○
丝印油墨	○	○	○	○	○	○
五金配件	○	○	○	○	○	○
塑胶件	○	○	○	○	○	○
电路板	×	○	○	○	○	○
导线	○	○	○	○	○	○
灯管	○	×	○	○	○	○

本表格依据SJ/T 11364的规定编制
○:表示该有害物质在该部件所有均质材料中的含量均在GB/T 26572规定的限量要求以下。
×:表示该有害物质至少在该部件的某一均质材料中的含量超出GB/T 26572规定的限量要求。

Applicable to China Only

注：紫外线灯管以及镇流器等物品请按照当地国家和地方法律处理。更多信息请访问昕诺飞相关网站。

Note: UV lamp and ballast should be handled according to local laws and regulations. For more information, please visit Signify website.

<https://www.lighting.philips.com/main/products/uv-disinfection/object>