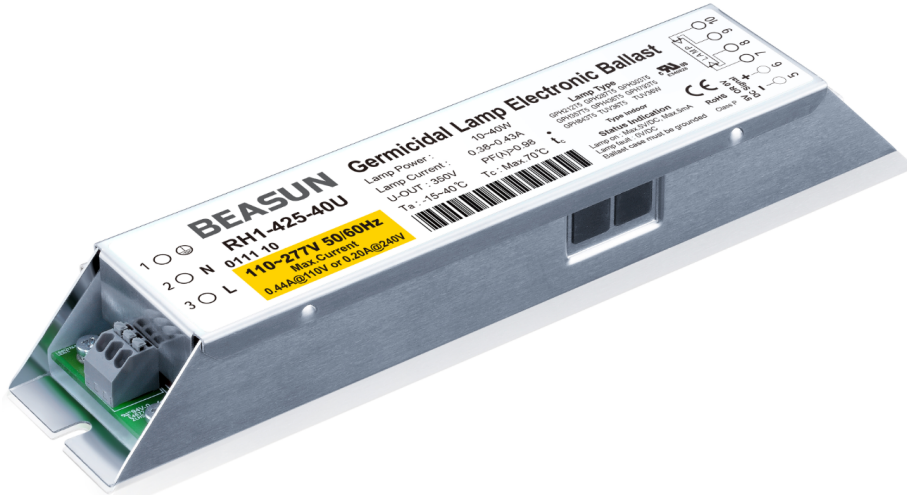


TYPE : RH1-425-40U VER: C

Preheat Start Ballast
AC Source : 99~305V 50/60Hz

Power : 10~40W

Product Picture

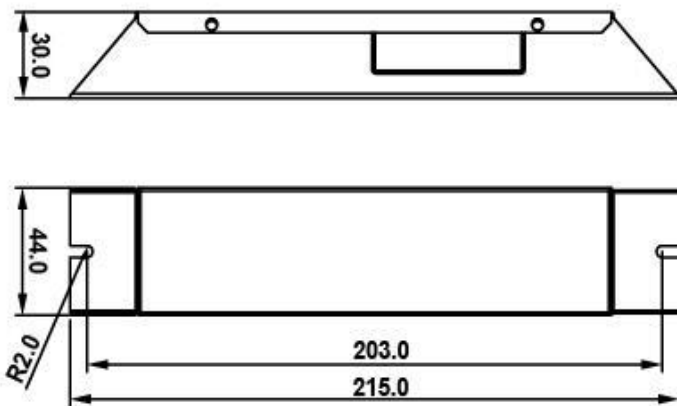


RH1 Series : RH1-425-40U RH1-425-75U RH1-800-75U RH1-800-100

Product Label

1 ○ ⊕ 2 ○ N 3 ○ L	BEASUN RH1-425-40U 0111 10 110~277V 50/60Hz Max. Current 0.44A@110V or 0.20A@240V	Germinicidal Lamp Electronic Ballast Lamp Power : 10~40W Lamp Current : 0.38~0.43A U-OUT : 350V PF(λ)>0.98 Ta : -15~40°C Tc : Max.70°C	Lamp Type GPH212T5 GPH287T5 GPH303T5 GPH357T5 GPH436T5 GPH793T5 GPH843T5 TUV36T5 TUV36W Type indoor Status Indication Lamp on : Max.5V/DC, Max.5mA Lamp fault : 0V/DC Ballast case must be grounded	RoHS CE Class P	

Product Dimensions

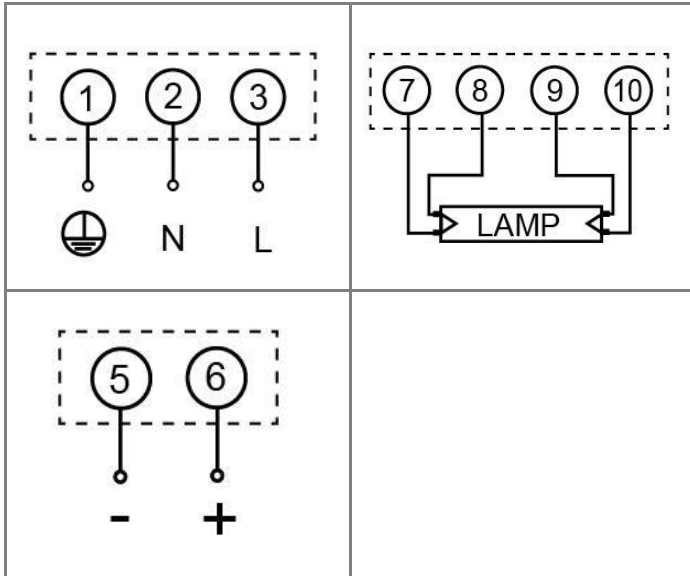


TYPE : RH1-425-40U VER: C

Preheat Start Ballast
AC Source : 99~305V 50/60Hz

Power : 10~40W

Wiring Diagram



Electrical Specification

Input Mains Voltage:	110~277V±10%
Input Line Frequency:	47~63Hz
Input Current:	Max.0.44A at 110V or 0.20A at 240Vrms
Input Power:	14~47W
Power Factor:	0.98 typ.
Output Frequency:	34KHz
Crest Factor:	<1.5
Current THD:	15% typ.
U-OUT:	350V
Preheat Time:	4S
Preheat Current:	0.40A typ.
Output Current:	0.38~0.43A typ.
Lamp Power:	10~40W
Efficiency:	85% Max. load
Signal Output:	Max.5V DC Max.5mA
Protections:	Lamp Open / Fault
Tc-temperature:	Max. 70°C
Ta-temperature:	-15~40°C
Storage:	-40~85°C
Approvals:	CE, UL, CUL
IP Code:	IP20
Dimensions:	215×44×30mm

Features & Functions

- Preheat start
- Constant current output
- Limiting lamp power
- Lamp open protection
- Lamp fault protection
- Status indication / Remote

DC 5V Signal

Lamp on: Max.5V/DC , Max.5mA ; Lamp fault: 0V

Lamp Type

GPH212T5 GPH287T5 GPH303T5 GPH357T5 GPH436T5
GPH793T5 GPH843T5 TUV11W TUV16W TUV25W TUV36T5
TUV36W

Note

When the Tc temperature is over 70°C, please add a heat-dissipation device.

Power-off protection.(When restarting, ballast can work only 2 minutes later after power-off.)

TYPE : RH1-425-40U VER: C

Preheat Start Ballast
AC Source : 99~305V 50/60Hz

Power : 10~40W

Ordering Code

8 6 0 * 1 1 1 1 1 0

0=Beasun Label , 2=Customized Label, 3=Special Requirements & Beasun Label , 4=Special Requirements & Customized Label

Ordering Information

Article No.	Type	Quantity [pcs]			Weight [kg]			Size [m³]	
		Box	Carton	Pallet	Box	Carton	Pallet	Carton	Pallet
8 6 0 * 1 1 1 1 1 0	RH1-425-40U	10	60	2400	2.32	14.76	602	0.028	1.27