

TYPE : RL1-800-100

Instant Start Ballast
AC Source : 198~264V 50/60Hz

Power : 40~100W

Product Picture

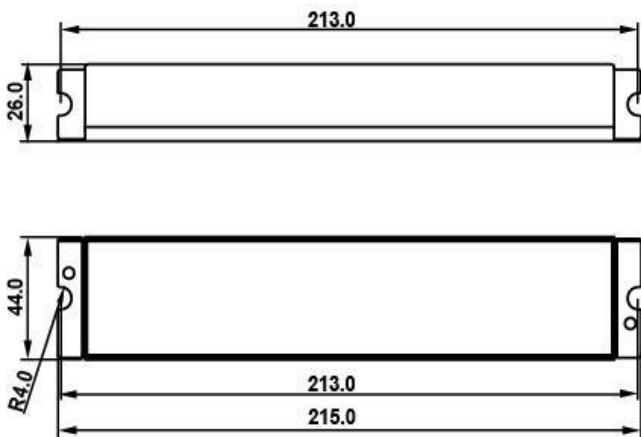


RL1 Series : RL1-425-90 RL1-800-100 RL1-800-75A RL1-425-40A24

Product Label

<p>BEASUN</p> <p>RL1-800-100</p> <p>0121 02</p> <p>220~240V 50/60Hz</p> <p>Max. Current 0.50A@230V</p>	<p>Germicidal Lamp Electronic Ballast</p> <p>Lamp Power : 40~100W</p> <p>Lamp Current : 0.75~0.85A</p> <p>U-OUT : 300V PF(λ)>0.9</p> <p>Ta : -15~40°C Tc : Max.70°C</p>		<p>WIRING DIAG</p>
	<p>Lamp Type: GH036T5, GH038T5, GH039T5, GH040T5, GH042T5, GH043T5, GH044T5, GH045T5, GH046T5, GH047T5, GH048T5, GH049T5, GH050T5, GH051T5, GH052T5, GH053T5, GH054T5, GH055T5, GH056T5, GH057T5, GH058T5, GH059T5, GH060T5, GH061T5, GH062T5, GH063T5, GH064T5, GH065T5, GH066T5, GH067T5, GH068T5, GH069T5, GH070T5, GH071T5, GH072T5, GH073T5, GH074T5, GH075T5, GH076T5, GH077T5, GH078T5, GH079T5, GH080T5, GH081T5, GH082T5, GH083T5, GH084T5, GH085T5, GH086T5, GH087T5, GH088T5, GH089T5, GH090T5, GH091T5, GH092T5, GH093T5, GH094T5, GH095T5, GH096T5, GH097T5, GH098T5, GH099T5, GH100T5</p> <p>Type indoor, Type HL, Class P</p> <p>Status Indication</p> <p>Lamp on : Max.5V/DC, Max.5mA</p> <p>Lamp fault : 0V/DC</p> <p>Ballast case must be grounded</p>		

Product Dimensions

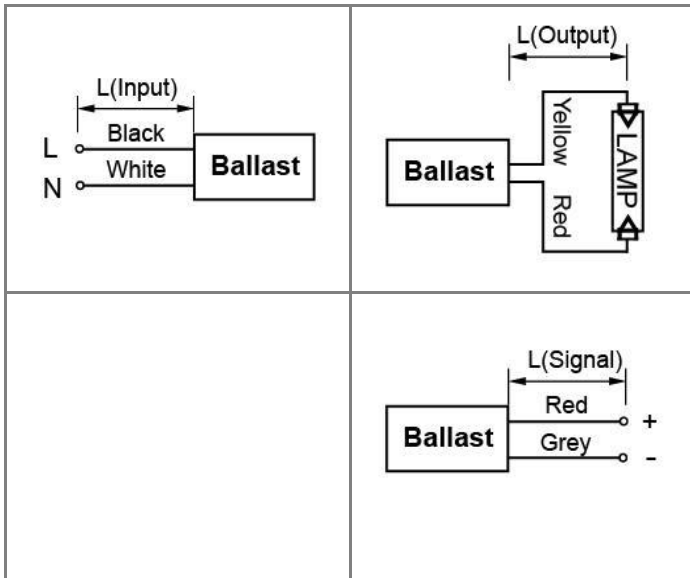


TYPE : RL1-800-100 VER: D

Instant Start Ballast
AC Source : 198~264V 50/60Hz

Power : 40~100W

Wiring Diagram



Electrical Specification

Input Mains Voltage:	220~240V±10%
Input Line Frequency:	47~63Hz
Input Current:	Max.0.50A at 230Vrms
Input Power:	43~103W
Power Factor:	0.90 typ.
Output Frequency:	39KHz
Crest Factor:	<1.7
Current THD:	45% typ.
U-OUT:	300V
Output Current:	0.70~0.80A typ.
Lamp Power:	40~100W
Efficiency:	97% Max. load
Signal Output:	Max.5V DC Max.5mA
Protections:	Lamp Open / Fault
Tc-temperature:	Max. 70°C
Ta-temperature:	-15~40°C
Storage:	-40~85°C
Approvals:	CE, UL, CUL
IP Code:	IP64
Dimensions:	215×44×26mm

Features & Functions

- Instant start
- Constant current output
- Lamp open protection
- Lamp fault protection
- Status indication / Remote

DC 5V Signal / Optional

Lamp on: Max.5V/DC , Max.5mA ; Lamp fault: 0V

Lamp Type

GPH436T5HO GPH846T5HO GHO36T5 TUV36T5HO TUV25W
TUV55WHO TUV75WHO PL-L35WHO PL-L60WHO TL80W
TL100W PL-L95WHO

Note

When the Tc temperature is over 70°C, please add a heat-dissipation device.

Power-off protection.(When restarting, ballast can work only 2 minutes later after power-off.)

TYPE : RL1-800-100 VER: D

Instant Start Ballast
AC Source : 198~264V 50/60Hz

Power : 40~100W

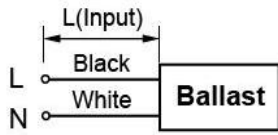
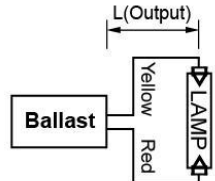
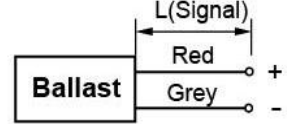
Ordering Code

8 * * * 0 1 2 1 0 2

0=Beasun Label , 2=Customized Label, 3=Special Requirements & Beasun Label , 4=Special Requirements & Customized Label

Cable Length: 1=C, 2=H, 3=A, 4=R, 5=L, 6=E, 7=S, 8=T, 9=O, 0=N

Functions: 6=DC 5V Signal, 7=Without Signal

		N L(Signal)=630mm L(Input)=430mm, L(Output)=630mm
C L(Signal)=60mm L(Input)=60mm, L(Output)=60mm	H	A L(Signal)=100mm L(Input)=100mm, L(Output)=100mm
R L(Signal)=300mm L(Input)=300mm, L(Output)=300mm	L	E L(Signal)=2000mm L(Input)=2000mm, L(Output)=2000mm
S L(Signal)=1500mm L(Input)=1500mm, L(Output)=1500mm	T L(Signal)=1000mm L(Input)=1000mm, L(Output)=1000mm	O L(Signal)=450mm L(Input)=430mm, L(Output)=450mm
		

Ordering Information

Article No.	Type	Quantity [pcs]			Weight [kg]			Size [m³]	
		Box	Carton	Pallet	Box	Carton	Pallet	Carton	Pallet
8 * * * 0 1 2 1 0 2	RL1-800-100	8	32	1536	2.92	12.36	605	0.022	1.36