

Engineering Product Specification

RW12 Series

VER: B



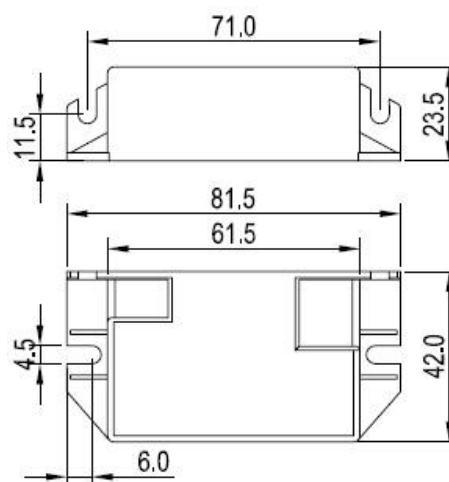
Features

- ⇒ Rapid start
- ⇒ Constant current output
- ⇒ Lamp open protection
- ⇒ Lamp fault protection

Applications

- ⇒ Standard Output Germicidal Lamps
- ⇒ Air Sterilization
- ⇒ Household Electric Appliances
- ⇒ Water Sterilization

Dimensions



Engineering Product Specification

RW12 Series

VER: B

Electrical Specification

Article No.	8700 123101	8780 123101	8700 123102	8700 123107
Type	RW12-180-10	RW12-180-10	RW12-425-18	RW12-350-15
Input Mains Voltage:	220~240V±10%	220~240V±10%	220~240V±10%	220~240V±10%
Input Line Frequency:	50~60Hz	50~60Hz	50~60Hz	50~60Hz
Input Current:	Max.0.13A at 230Vrms	Max.0.13A at 230Vrms	Max.0.22A at 230Vrms	Max.0.28A at 230Vrms
Input Power:	Max.13.5W	Max.13.5W	Max.25.0W	Max.28.0W
Inrush Current:	Max.9A	Max.9A	Max.9A	Max.9A
Power Factor:	0.50 typ.	0.50 typ.	0.50 typ.	0.50 typ.
Output Voltage:	Max.70V AC	Max.70V AC	Max.53V AC	Max.70V AC
Output Frequency:	24~33KHz	24~33KHz	25~31KHz	25~31KHz
Output Current:	0.16~0.19A typ.	0.16~0.19A typ.	0.38~0.43A typ.	0.34~0.38A typ.
Output Power:	4~11W	5~11W	14~20W	15~24W
Crest Factor:	<1.7 typ.	<1.7 typ.	<1.7 typ.	<1.7 typ.
Current THD:	125% typ.	125% typ.	120% typ.	110% typ.
U-OUT:	250V	250V	250V	250V
Wire Gauge:	0.5~1.5mm ²	0.5~1.5mm ²	0.5~1.5mm ²	0.5~1.5mm ²
Strip Length:	7.5~8.5mm	7.5~8.5mm	7.5~8.5mm	7.5~8.5mm
Max. Wire Length:	3m	3m	3m	3m
Efficiency:	80% Max. Load	80% Max. Load	80% Max. Load	85% Max. Load
Tc-temperature:	Max. 70°C	Max. 70°C	Max. 70°C	Max. 70°C
Ta-temperature:	-10~40°C	-10~40°C	-10~40°C	-10~40°C
Storage:	-40~85°C	-40~85°C	-40~85°C	-40~85°C
Approvals:	CE(LVD/EMC), CB	CE(LVD/EMC), CB	CE(LVD/EMC), CB	CE(LVD/EMC), CB
IP Code:	IP20	IP20	IP20	IP20
Wiring Diagram:	A	B	A	A
Lamp Type:	TUV4W,TUV6W,TUV8 W,HNS4W,HNS6W,HN S8W,HNS-S/E7W,HNS- S/E9W,HNS-S/E11W	PL-S5W,PL-S7W,PL- S9W,PL-S11W,HNS- S5W,HNS-S7W,HNS- S9W,HNS-S11W	GPH287T5,GPH303T5, GPH357T5,TUV11WT5, TUV16WT5,HNS11W,H NS16W,HNS16W4PSE, HNS20W4PSE,	TUV15WT9,PL-L18W, PL-L24W,HNS15W, HNS-L18W,HNS-L24W

Engineering Product Specification

RW12 Series

VER: B

Article No.	8700 123105	8780 123111	8700 123109
Type	RW12-500-18	RW12-290-13	RW12-425-10
Input Mains Voltage:	220~240V±10%	220~240V±10%	220~240V±10%
Input Line Frequency:	50~60Hz	50~60Hz	50~60Hz
Input Current:	Max.0.20A at 230Vrms	Max.0.15A at 230Vrms	Max.0.17A at 230Vrms
Input Power:	Max.21.0W	Max.16.0W	Max.14.0W
Inrush Current:	Max.9A	Max.9A	Max.9A
Power Factor:	0.50 typ.	0.50 typ.	0.50 typ.
Output Voltage:	Max.36V AC	Max.48V AC	Max.30V AC
Output Frequency:	20~23KHz	22~24KHz	22~26KHz
Output Current:	0.47~0.53A typ.	0.27~0.31A typ.	0.38~0.43A typ.
Output Power:	14~17W	13W	8~11W
Crest Factor:	<1.7 typ.	<1.7 typ.	<1.7 typ.
Current THD:	110% typ.	125% typ.	110% typ.
U-OUT:	250V	250V	250V
Wire Gauge:	0.5~1.5mm ²	0.5~1.5mm ²	0.5~1.5mm ²
Strip Length:	7.5~8.5mm	7.5~8.5mm	7.5~8.5mm
Max. Wire Length:	3m	3m	3m
Efficiency:	80% Max. Load	80% Max. Load	80% Max. Load
Tc-temperature:	Max. 70°C	Max. 70°C	Max. 70°C
Ta-temperature:	-10~40°C	-10~40°C	-10~40°C
Storage:	-40~85°C	-40~85°C	-40~85°C
Approvals:	CE(LVD/EMC), CB	CE(LVD/EMC), CB	CE(LVD/EMC), CB
IP Code:	IP20	IP20	IP20
Wiring Diagram:	A	B	A
Lamp Type:	CT-2085,GPH212T5HO, GPH287T5HO	PL-S13W,HNS-S13W	GPH150T5,GPH287T5, TUV11WT5,HNS11W

Engineering Product Specification

RW12 Series

VER: B

Article No.	8700 123103	8780 123103	8700 123104	8700 123108
Type	RW12-180-10A	RW12-180-10A	RW12-425-18A	RW12-350-15A
Input Mains Voltage:	110~120V±10%	110~120V±10%	110~120V±10%	110~120V±10%
Input Line Frequency:	50~60Hz	50~60Hz	50~60Hz	50~60Hz
Input Current:	Max.0.27A at 120Vrms	Max.0.27A at 120Vrms	Max.0.41A at 120Vrms	Max.0.58A at 120Vrms
Input Power:	Max.13.5W	Max.13.5W	Max.20.0W	Max.28.0W
Inrush Current:	Max.22A	Max.22A	Max.16A	Max.16A
Power Factor:	0.50 typ.	0.50 typ.	0.50 typ.	0.55 typ.
Output Voltage:	Max.70V AC	Max.70V AC	Max.53V AC	Max.70V AC
Output Frequency:	25~35KHz	25~35KHz	27~30KHz	27~33KHz
Output Current:	0.16~0.19A typ.	0.16~0.19A typ.	0.38~0.43A typ.	0.34~0.38A typ.
Output Power:	4~11W	5~11W	14~17W	15~24W
Crest Factor:	<1.7 typ.	<1.7 typ.	<1.7 typ.	<1.7 typ.
Current THD:	140% typ.	140% typ.	130% typ.	120% typ.
U-OUT:	150V	150V	150V	150V
Wire Gauge:	0.5~1.5mm ²	0.5~1.5mm ²	0.5~1.5mm ²	0.5~1.5mm ²
Strip Length:	7.5~8.5mm	7.5~8.5mm	7.5~8.5mm	7.5~8.5mm
Max. Wire Length:	3m	3m	3m	3m
Efficiency:	80% Max. Load	80% Max. Load	85% Max. Load	85% Max. Load
Tc-temperature:	Max. 70°C	Max. 70°C	Max. 70°C	Max. 70°C
Ta-temperature:	-10~40°C	-10~40°C	-10~40°C	-10~40°C
Storage:	-40~85°C	-40~85°C	-40~85°C	-40~85°C
Approvals:	UL, CUL	UL, CUL	UL, CUL	UL, CUL
IP Code:	IP20	IP20	IP20	IP20
Wiring Diagram:	A	B	A	A
Lamp Type:	TUV4W,TUV6W,TUV8 W,HNS4W,HNS6W,HN S8W,HNS-S/E7W,HNS- S/E9W,HNS-S/E11W	PL-S5W,PL-S7W,PL- S9W,PL-S11W,HNS- S5W,HNS-S7W,HNS- S9W,HNS-S11W	GPH287T5,GPH303T5, GPH357T5,TUV11WT5, TUV16WT5,HNS11W,H NS16W,HNS16W4PSE	TUV15WT9,PL-L18W, PL-L24W,HNS15W, HNS-L18W,HNS-L24W

Engineering Product Specification

RW12 Series

VER: B

Article No.	8700 123106	8780 123112	8700 123110
Type	RW12-500-18A	RW12-290-13A	RW12-425-10A
Input Mains Voltage:	110~120V±10%	110~120V±10%	110~120V±10%
Input Line Frequency:	50~60Hz	50~60Hz	50~60Hz
Input Current:	Max.0.41A at 120Vrms	Max.0.32A at 120Vrms	Max.0.31A at 120Vrms
Input Power:	Max.21.0W	Max.16.0W	Max.14.0W
Inrush Current:	Max.15A	Max.16A	Max.15A
Power Factor:	0.55 typ.	0.50 typ.	0.50 typ.
Output Voltage:	Max.36V AC	Max.48V AC	Max.30V AC
Output Frequency:	21~23KHz	22~24KHz	22~26KHz
Output Current:	0.47~0.53A typ.	0.27~0.31A typ.	0.38~0.43A typ.
Output Power:	14~17W	13W	8~11W
Crest Factor:	<1.7 typ.	<1.7 typ.	<1.7 typ.
Current THD:	120% typ.	130% typ.	120% typ.
U-OUT:	150V	150V	150V
Wire Gauge:	0.5~1.5mm ²	0.5~1.5mm ²	0.5~1.5mm ²
Strip Length:	7.5~8.5mm	7.5~8.5mm	7.5~8.5mm
Max. Wire Length:	3m	3m	3m
Efficiency:	80% Max. Load	80% Max. Load	80% Max. Load
Tc-temperature:	Max. 70°C	Max. 70°C	Max. 70°C
Ta-temperature:	-10~40°C	-10~40°C	-10~40°C
Storage:	-40~85°C	-40~85°C	-40~85°C
Approvals:	UL, CUL	UL, CUL	UL, CUL
IP Code:	IP20	IP20	IP20
Wiring Diagram:	A	B	A
Lamp Type:	CT-2085,GPH212T5HO, GPH287T5HO	PL-S13W,HNS-S13W	GPH150T5,GPH287T5, TUV11WT5,HNS11W

Note

*When the Tc temperature is over 70°C, please add a heat-dissipation device.

*Power-off Protection.(When Restarting,Ballast can Work Only 2 Minutes Later After Power-off.)

Engineering Product Specification

RW12 Series

VER: B

Wiring Diagram



Ordering Information

Article No.	Type	Quantity [pcs]			Weight [kg]		Size [m³]	
		Inner Box	Carton	Pallet	Carton	Pallet	Carton	Pallet
8700 123101	RW12-180-10	20	120	6720	11.5	656	0.017	1.47
8780 123101	RW12-180-10	20	120	6720	11.5	656	0.017	1.47
8700 123102	RW12-425-18	20	120	6720	11.5	656	0.017	1.47
8700 123107	RW12-350-15	20	120	6720	11.5	656	0.017	1.47
8700 123105	RW12-500-18	20	120	6720	11.5	656	0.017	1.47
8780 123111	RW12-290-13	20	120	6720	11.5	656	0.017	1.47
8700 123109	RW12-425-10	20	120	6720	11.5	656	0.017	1.47
8700 123103	RW12-180-10A	20	120	6720	11.5	656	0.017	1.47
8780 123103	RW12-180-10A	20	120	6720	11.5	656	0.017	1.47
8700 123104	RW12-425-18A	20	120	6720	11.5	656	0.017	1.47
8700 123108	RW12-350-15A	20	120	6720	11.5	656	0.017	1.47
8700 123106	RW12-500-18A	20	120	6720	11.5	656	0.017	1.47
8780 123112	RW12-290-13A	20	120	6720	11.5	656	0.017	1.47
8700 123110	RW12-425-10A	20	120	6720	11.5	656	0.017	1.47