

BF100

BF100 is an outdoor-mountable DC battery cabinet featuring an intelligent air-cooled cooling design. It offers flexible single cabinet capacity of 71/86/100kWh, reserved DC side expansion interface. Additionally, it is equipped with a wall-mounted hybrid inverter to facilitate AC output. This cabinet is ideal for office parks, commercial buildings, charging stations, and other small industrial and commercial applications.



Flexible Expansion

Single cabinet capacity of 71/86/100kWh optional, reserve DC side expansion interface



Safe & Reliable

Three-stage detection + active exhaust + passive explosion-proof design to eliminate hidden hazards and ensure safe operation.



IP55+C3/C5

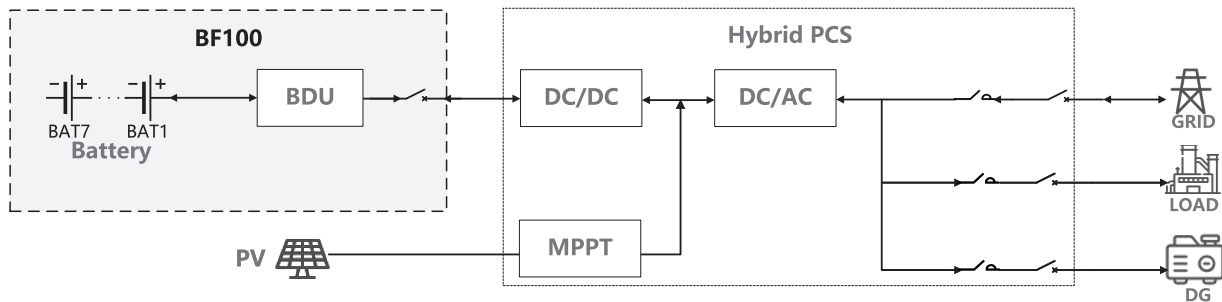
Resistance up to C3/C5 corrosion level, Handles harsh environments such as high humidity and salt spray corrosion with ease.



Simple O&M

Modular design, side outlet mode, easy to install, and easy to maintain.

Diagram



Specification

Model	BF100-C70		BF100-C80	BF100-C100
Battery				
Battery Type	LiFePO ₄			
Battery Capacity	280Ah			
Rated Current	140A			
Max. Current	160A			
PACK Configuration	1P16S			
PACK Quantity	5 PACK/Cluster	6 PACK/Cluster	7 PACK/Cluster	
Voltage Range	232~288Vdc	278.4~345.6Vdc	324.8~403.2Vdc	
Nominal Capacity	71kWh	86kWh	100kWh	
System				
Weight	1100±100kg	1200±100kg	1300±100kg	
Dimension (W/D/H)	725/1224/2258mm			
Max. Efficiency	≥94% (TBD)			
Air Conditioner Power	2kW (Cooling), 1kW (Heating)			
Temperature	-20~50°C (Derating above 45°C)			
Humidity	0~95%RH (Non-condensing)			
Ingress Protection	IP55			
Anti-corrosion Grade	C3/C5			
Cooling Method	Air-cooling			
Noise	≤65dB (TBD)			
Display	Touch screen			
Elevation	3000m (Derating above 2000m)			
Fire Protection	Aerosol (Optional Perfluorohexanone)			
Communication	Ethernet/4G/RS485			
Certification	CE			

